



Sliding Door Hardware



Sliding Door Hardware

Blaxland™ Sliding Patio Door Lock

Description

Zinc diecast internal D handle deadlock with diecast outer pull.

Suitability

Suitable for residential aluminium or timber sliding doors.

Features & Specifications

- Australian made with an imported cylinder
- Surface Mounted
- Meets Australian Lock Standard AS4145.2 – 1993
- Standard 82mm fixing holes
- Central turnbar hole for external cylinders
- Integral anti-lift pins to resist attempts to lift the door out of its track.
- Non-handed
- Adjustable stainless steel locking beak, with 6mm of closing adjustment.
- Self retracting beak avoids damage and accidental lockout.
- Suitable for use with a wide range of outer pulls and strikes.
- Available in Double Cylinder, External Single Cylinder, Internal Single Cylinder, Snib Only and Dummy variants.



Aluminium Timber

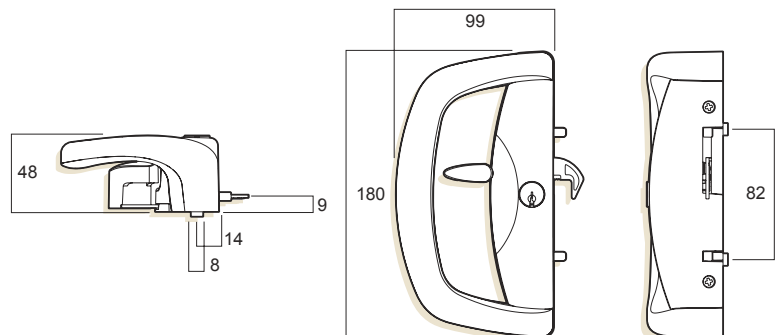


Sliding Patio

Available in Display and Trade Packs.

Keying

- Blaxland uses C4 5 pin cylinders as standard, and can be keyed alike to other C4 and CYL4® Whitco and Lockwood products.
- Also available with 10 Disc cylinders



Finishes

White	16
Black	17
Primrose	19

Sliding Door Hardware

Lawson™ Sliding Patio Door Lock

Description

Polymer slimline pull mounted to a metal lock base, with polymer external pull.

Suitability

Suitable for residential aluminium or timber sliding doors.

Features & Specifications

- Surface Mounted
- Standard 82mm fixing holes
- Central turnbar hole for external cylinders
- Integral anti-lift pins to resist attempts to lift the door out of its track.
- Non-handed
- Adjustable stainless steel locking beak, with 6mm closing adjustment
- Self retracting beak avoids damage and accidental lockout.
- Suitable for use with a wide range of outer pulls and strikes.
- Available in Double Cylinder, External Single Cylinder, Internal Single Cylinder, Snib Only and Dummy variants.
- Design Registered

Available in Trade Pack Only.

Keying

Lawson uses 10 Disc cylinders as standard. 5 Pin C4 cylinders can be supplied as an option. C4 cylinder versions can be keyed alike to other C4 and CYL4® Whitco and Lockwood products.

Finishes

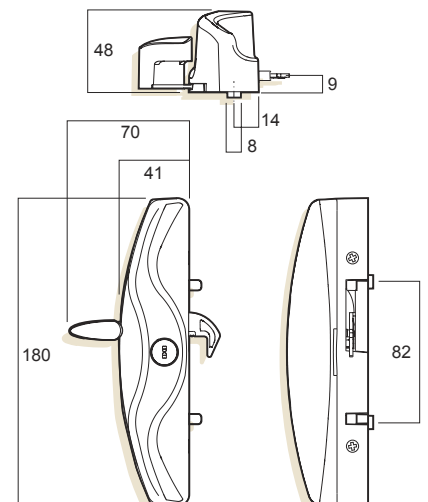
Black 17



Aluminium Timber



Sliding Patio



Sliding Door Hardware

Oxley™ Sliding Patio Door Lock

Description

Polymer internal D handle mounted to a metal lock base, with polymer external pull.

Suitability

Suitable for residential aluminium or timber sliding doors.

Features & Specifications

- Stylish tough polymer 'D' handle molded solid to create a one piece handle without infill or coring Polymer construction gives superior resistance in corrosive environments.
- Surface Mounted
- Standard 82mm fixing holes
- Central turnbar hole for external cylinders
- Integral anti-lift pins to resist attempts to lift the door out of its track.
- Non-handed
- Adjustable stainless steel locking beak, with 6mm closing adjustment
- Self retracting beak avoids damage and accidental lockout.
- Available in Double Cylinder, External Single Cylinder, Internal Single Cylinder, Snib Only and Dummy variants.
- Suitable for use with a wide range of outer pulls and strikes
- Design registered

Available in Display and Trade Packs.

Keying

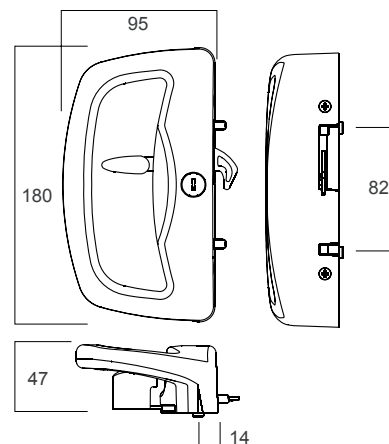
Oxley uses 10 Disc cylinders as standard. 5 Pin C4 cylinders can be supplied as an option. C4 cylinder versions can be keyed alike to other C4 and CYL4® Whitco and Lockwood products.



Aluminium Timber



Sliding Patio



Finishes

Black 17

Sliding Door Hardware

Mawson® Sliding Patio Door Lock

Description

Zinc diecast inner D handle deadlock with diecast outer pull.

Suitability

Suitable for residential aluminium or timber sliding doors. Mawson incorporates a low profile D handle for doors fitted with an internal security screen.

Features & Specifications

- Australian made with an imported cylinder
- Surface Mounted
- Standard 82mm fixing holes
- Central turnbar hole for external cylinders
- Integral anti-lift pins to resist attempts to lift the door out of its track.
- Non-handed
- Self retracting beak avoids damage and accidental lockout.
- Suitable for use with a wide range of outer pulls and strikes
- Available in External Single Cylinder, Snib Only and Dummy variants.

Available in Trade Pack Only.

Keying

Mawson uses C4 5 pin cylinders as standard, and can be keyed alike to other C4 and CYL4® Whitco and Lockwood products.

Also available with 10 Disc cylinders.

Finishes

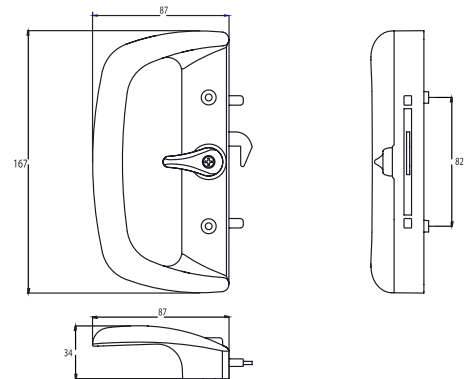
Black	17
Special Powder coat	



Aluminium Timber



Sliding Patio



Sliding Security Screen Door Hardware Leichhardt

Application/Description

Single & Multi point mortice sliding security door lock.

Features and Specifications

- Suits either Left or Right hand closing sliding doors
- Parrot beak deadlock
- Key deadlock from both sides
- Self latching
- Inside snib
- Key overrides snib operation
- Accepts Whitco Euro profile lazy cam cylinder locks
- Can only be key locked or snibbed when fully latched with striker
- Optional Multi Point kits available for 2 and 3 point applications
- Zinc diecast furniture and locking mechanism
- Steel zinc plated cover plate

Available in Display and Trade Packs.

Keying

- Use with Whitco Euro profile lazy cam cylinder locks
- 2 x 5 pin cylinder lock
- 2 x 10 disc cylinder lock

Non Standard Finishes

Other polyester powder coat finishes available on application.



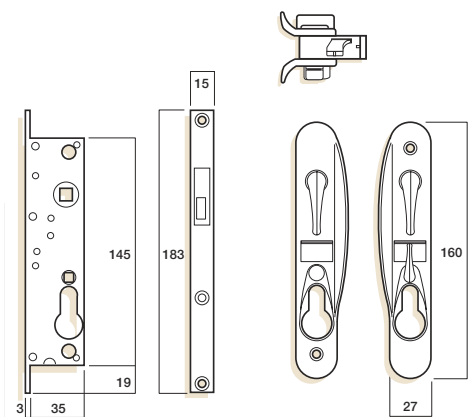
Aluminium



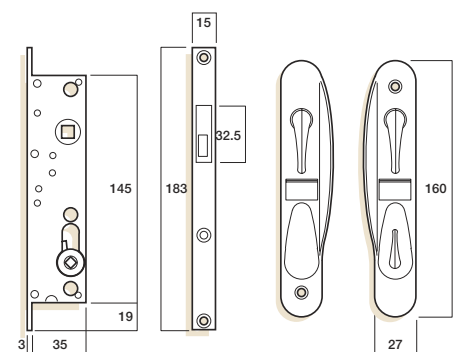
Security Screen



Flyscreen



Cylinder locking



Snib locking