



Hinged Security Door Hardware



Hinged Security Door Hardware

Tasman™ Mk3

Application / Description

Single or Multi point hinged security or screen door lock.

Features and Specifications

DUALSELECT

- DualSelect offers safety and security for all occupants by giving a choice of selecting privacy-lock or deadlock when exiting the home. Turning the key to the first selection engages the privacy-lock, which offers security from the outside whilst allowing occupants inside to safely exit using the internal privacy snib. The second selection engages the deadlock, which provides security, but requires the key to unlock the door from inside and outside
- Internal padlock symbol denotes door is in deadlock mode
- Contemporary styled furniture with pre-assembled handles and snib
- Patented anti-jimmy extra wide serrated locking bolt

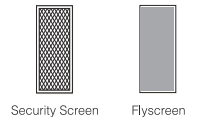
S7 SECURITY

D8 DURABILITY

- High performance lock meets or exceeds relevant requirements of Australian Standard AS 4145.2-2008 to Level S7 and D8
- Successfully tested on security screen doors in accordance with Australian Standard AS 5039-2003: Security Screen Doors and Security Window Grilles and AS 5041-2003: Methods of test
- 3 point kits for premium security available
- Snib locking of all 3 points
- Patentable features for centre and auxiliary locks
- Available in polyester powdercoat and plated finishes
- Fits industry standard cut outs
- Retrofits previous Whitco Tasman lock
- Zinc diecast lock mechanism and furniture
- Easy installation
- Suits either left or right hand opening hinged security and screen doors
- Mortice lock with inside snib
- Key overrides snib
- Automatic latching
- Accepts Whitco Euro profile lazy cam cylinder locks
- Suit standard 20 mm door thickness
- Stainless steel strikes



Aluminium Steel

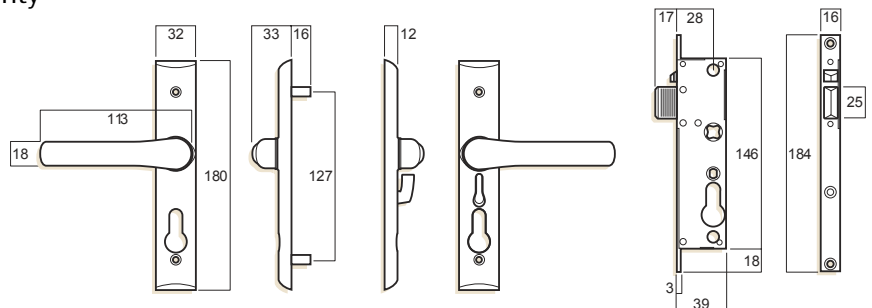


Keying

- Use with Whitco Euro profile lazy cam cylinder locks
- 2 x 5 pin cylinder
- 2 x 10 disc cylinder

Non Standard Finishes

Other polyester powder coat finishes available on application.



Hinged Security Door Hardware

Tasman™ MK2

Application/Description

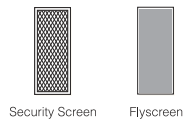
Single or Multi point hinged security or screen door lock.

Features and Specifications

- Contemporary styled furniture
- Non handed furniture - suits left-hand and right-hand doors
- Serrated locking bolt provides extra grip against forced entry
- 3 point kits for additional security available
- Fits industry standard cut outs
- Retrofits previous Whitco Tasman lock
- Zinc diecast lock mechanism and furniture
- Easy installation
- Suits either left or right hand opening hinged security and screen doors
- Mortice lock with inside snib
- Key overrides snib
- Automatic latching
- Accepts Whitco Euro profile lazy cam cylinder
- Suit standard 20 mm door thickness
- Stainless steel strikes



Aluminium Steel

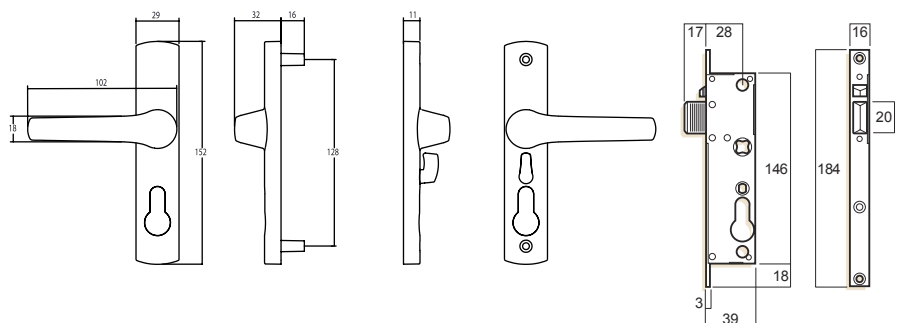


Available in Trade Pack only.

Keying

- Use with Whitco Euro profile lazy cam cylinder locks
- 2 x 5 pin cylinder
- 2 x 10 disc cylinder

| Standard Finishes | |
|-------------------|----|
| Brown | 13 |
| White | 16 |
| Black | 17 |
| Gold Spangle | 18 |
| Primrose | 19 |



Non Standard Finishes

Not available in other finishes.

Hinged Security Door Hardware

Tasman™ Escape

Application / Description

Emergency escape hinged security or screen door lock. Free to exit at all times.

Features and Specifications

The lock status indicator positioned above the cylinder provides visual indication of the lock's status. In the vertical position the indicator shows that the Tasman Escape is unlocked. In the 45 position the indicator shows that the Tasman Escape is locked from the outside.

- Easy installation with pre-assembled handles
- Patented anti-jimmy serrated locking bolt
- Fits industry standard cut outs
- Suits standard 20 mm door thickness
- Retrofits previous Whitco Tasman Lock
- Suits either left or right hand opening hinged security and screen doors
- Automatic latching
- Contemporary styled handles
- Stainless steel strike
- High performance lock conforms to the relevant requirements of Australian Standards AS4145.2 - 2008 to physical security level S7 and durability level D8
- Successfully tested on security screen doors in accordance with Australian Standard AS5039 - 2003: Security Screen Doors and Security Window Grills and AS5041 - 2003: Methods of Test
- Available in single point locking only

Available in Trade Pack only.

Keying

- Use with Whitco euro profile lazy cam cylinder locks
- 2 x 5 pin non handed cylinder and turnknob

Non Standard Finishes

Other polyester powder coat finishes available on application.



Aluminium

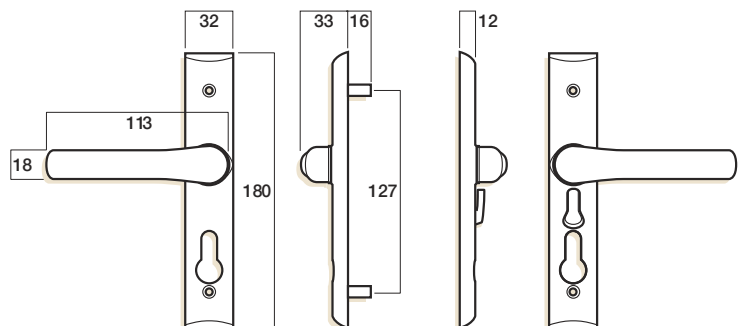
Steel



Security Screen



Flyscreen



Standard Finishes

| | |
|----------------|----|
| Silver | 11 |
| Brown | 13 |
| White | 16 |
| Black | 17 |
| Gold Spangle | 18 |
| Primrose | 19 |
| Hawthorn Green | 20 |
| Doeskin | 23 |
| Stone Beige | 28 |
| White Birch | 41 |

Hinged Security Door Hardware

Safety Lock

Application / Description

Keyed hinged screen door lock.

Features and Specifications

- Suits either left or right hand opening hinged screen doors – reversible latch bolt to suit inward or outward opening doors
- Surface mounted lock
- Key lock from inside or outside
- Zinc diecast construction
- Suits standard 20 mm door thickness

Available in Display and Trade Packs.

Keying

- 10 disc integral barrel
- Two Whitco chrome plated brass keys



Flyscreen

Standard Finishes

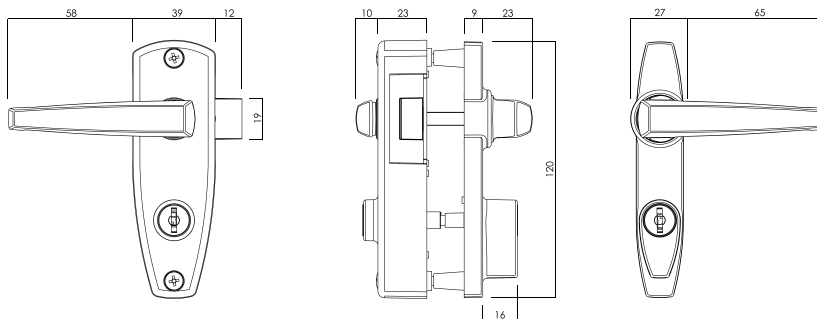
| | |
|-------|----|
| Brown | 13 |
| Black | 17 |

Non Standard Finishes

Not available in other finishes.

Accessories

No accessories are available for this product.



Hinged Security Door Hardware

Screen Door Latch

Application / Description

Hinged screen door latch.

Features and Specifications

- Suits either left or right hand opening hinged screen doors
- Surface mounted latch
- Inside snib
- Maximum door thickness 25 mm
- Zinc die cast construction with steel strike

Available in Display and Trade Packs.

Standard Finishes

| | |
|--------|----|
| Silver | 11 |
| Brown | 13 |
| Black | 17 |

Non Standard Finishes

Not available in other finishes.

Accessories

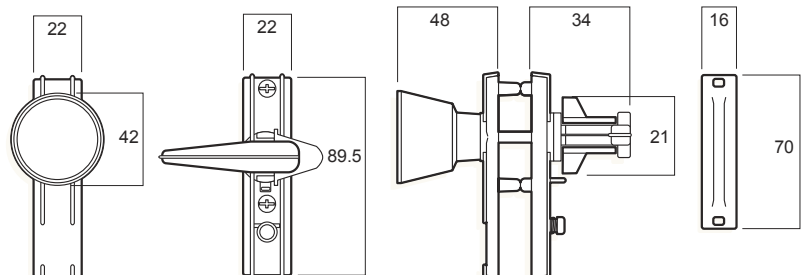
No accessories are available for this product.



Aluminium Timber



Flyscreen



Hinged Security Door Hardware

Screen Door Closer

Application / Description

Hinged screen and security screen doors.

Features and Specifications

- Smooth pneumatic operation
- Suits either left or right hand closing hinged doors
- Adjustable closing speed with hold open bracket
- Surface mounted
- Tough aluminium and UV resistant
- ABS polymer construction
- Standard version available

Available in Display and Trade Packs.

Standard Finishes

| | |
|--------------|----|
| Silver | 11 |
| White | 16 |
| Black | 17 |
| Gold Spangle | 18 |
| Primrose | 19 |
| Ranch Brown | 25 |
| Stone Beige | 28 |

Non Standard Finishes

Not available in other finishes.

Accessories

No accessories are available.

Performance

Standard version suitable for screen door or security doors up to 18 Kg.



Security Screen



Flyscreen

