



Electric Strikes

Electric Strikes

ES110 Series Electric Strike

General Description

The ES110 is a cost efficient robust electric strike with a solid construction of one-piece cast aluminium body and stainless steel striker. Having a deeper than normal strike-keeper area, ES110 is designed to work with an extensive range of locks and offers the same level of security and reliability usually provided by more expensive electric locking solutions.

Extension lips are available to accommodate the installation of electric strikes on door frames with different thickness. The ES110 product range of patented electric strikes are suitable for use with all access control installations where flexibility, security and lower cost are required.

Key Features

- Fail safe/fail secure changeable on site
- Stainless steel striker for extra strength and durability
- Stainless steel locking pins
- Available in 12 or 24Vdc
- Optional mounting kit
- Installation template
- IP56 weather resistant version available
- Suitable for 18mm latch with a 3mm door gap
- **TRICARE**® 5 Year Warranty

Applications

- Exposed areas (weather resistant models)
- High traffic areas
- Open in/open out doors
- Suitable for use with all access control systems



Standards and Compliance



Successfully fire rated up to 4 hours on fire door assemblies in accordance with AS1905.1. 2005 (Part 1: Fire Resistant Doorsets)



Approved to UL1034 (highest level)

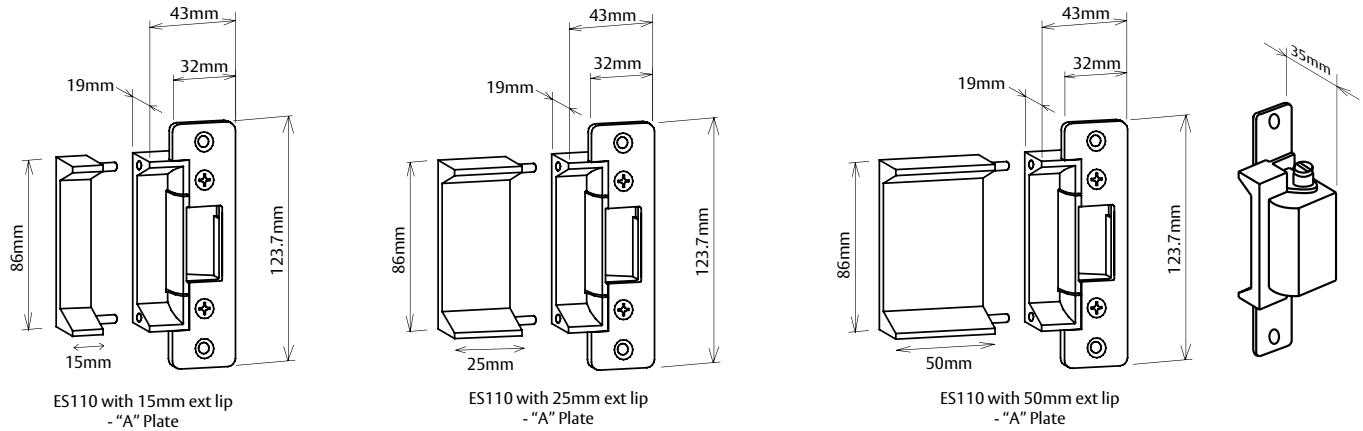


CE Approved



C-Tick Certified

Weather Resistant Version (IP56) available



ES110 Technical Information

Voltage	12 or 24Vdc
Current	243 mA @ 12Vdc – 187mA @ 24Vdc
Solenoid	Solenoids are rated for continuous use
Monitoring	None
Holding Force	680 kg static strength rating
Endurance	Cycle tested to 1,000,000 operations
Environment	Operational temperature range -20°C to +60°C Weather resistant construction available (IP56)
Body	Cast Aluminium Construction
Keeper	Stainless Steel
Latch	Suitable for 15mm latchbolt with 3mm door gap

Specification Statement

Where power to lock and power to open functions may be required in the same building, the strike must be interchangeable from either "power to lock" or "power to open" on site.

The electric strike should not consume current greater than 243mA @ 12Vdc or 187mA @ 24Vdc and have a solenoid suitable for continuous use. Certifications must include CE, C-Tick and 4hr fire rating.

The strike should have a minimum holding force of 680kg and an endurance rating of 1 million cycles.

Electric Strikes

ES150 Series Surface Mounted Electric Strike

General Description

ES150 is a Surface Mounted Electric Strike suitable for use with rim or surface type dead latches. This strike is easy to install and can be simply controlled by a keypad, keyswitch or integrated into any access control system.

ES150 offers high levels of security and features usually provided by more expensive electric locking solutions. The electric strike can be easily installed on steel and wooden door frames. A weather resistant version is also available for exterior applications.

Key Features

- Fail safe/fail secure changeable on site
- Easy installation suitable for steel and wooden door frames
- Stainless steel striker for extra strength and durability
- Available in 12 or 24Vdc
- Solenoid rated for continuous use
- IP56 weather resistant version available
- **TRICARE**® 5 Year Warranty

Applications

- Surface or rim mounted applications
- Suitable for use with all access control systems
- Exposed areas (weather resistant model only)

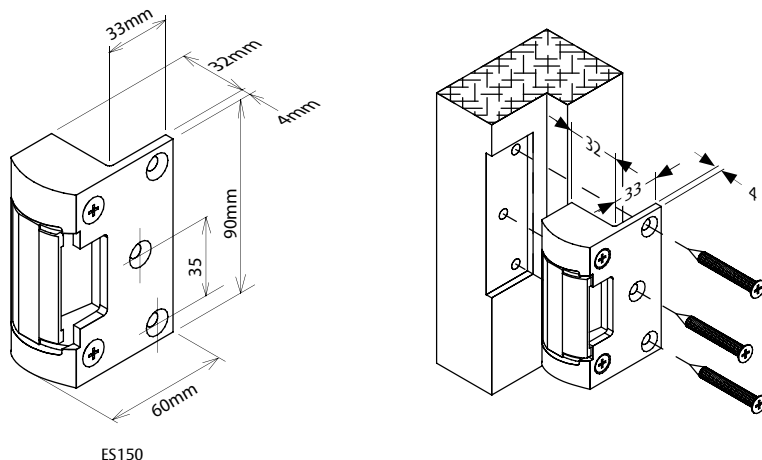


Standards and Compliance

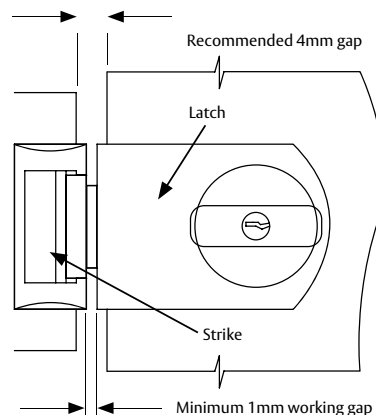
 CE Approved

 C-Tick Certified

ES150 Series Surface Mounted Electric Strike



Ensure 1mm working gap without mechanical interference



ES150 Technical Information

Voltage	12 or 24Vdc
Current	243mA @ 12Vdc - 187mA @ 24Vdc
Solenoid	Solenoids rated for continuous use
Monitoring	None
Holding Force	680kg static strength rating
Endurance	Cycle tested to 1,000,000 operations
Environment	Operational temperature range - 20°C to +60°C Weather resistant construction available (IP56)
Body	Solid Stainless Steel Construction
Keeper	Stainless Steel
Latch	Suitable for 15mm latchbolt with 3mm door gap

Specification Statement

The electric strike must be suitable for surface mount applications for use with rim or surface mount door locks.

Where power to lock and power to open functions may be required in the same building, an individual strike is interchangeable from either “power to lock” or “power to open” on site.

The electric strike should not consume current greater than 243mA @ 12Vdc or 187mA @ 24Vdc. Certifications must include CE and C-Tick.

The strike should be tested to 1 million operations and have a minimum holding force not less than 680kg.

Electric Strikes

ES200 Series Electric Strike

General Description

The ES200 Series Electric Strikes are high security products manufactured from solid stainless steel and designed for use with all access control systems. The strikes are suitable for use with hinged doors which require either fire or security control as part of a building management system.

These strikes are flexible and can be changed from fail safe to fail secure, mounted on the left or right hand side of the door and are available in 12 or 24Vdc.

They offer a strong, dependable and long-lasting electric strike solution.

Key Features

- Fail safe/fail secure changeable on site
- High security
- 4hr fire rating
- 850kg holding force
- 1 million cycles endurance rating
- Cast stainless steel body
- Stainless steel locking pins
- Low current consumption - Max 175mA @12Vdc
- Mounting kit supplied as standard
- **TRIGARE**® 5 Year Warranty

Applications

- High traffic areas
- Fire rated door sets
- Open in/open out doors
- Suitable for use with all access control systems



Standards and Compliance

S3 (Security) Australian Lock Standard (AS4145.2.1993)

D3 (Durability) Australian Lock Standard (AS4145.2.1993)



BS 5872 Approved



Successfully fire rated up to 4 hours on fire door assemblies in accordance with AS1905.1. 2005 (Part 1: Fire Resistant Doorsets)



Approved to UL1034 (highest level)



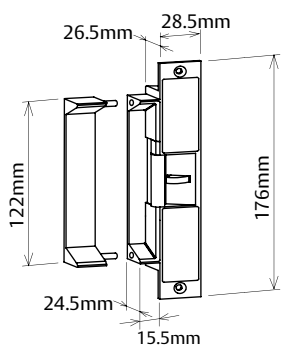
CE Approved



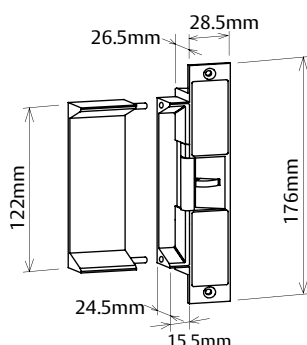
C-Tick Certified

Electric Strikes

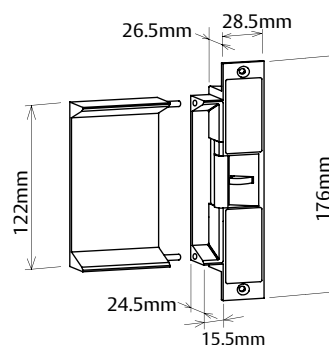
ES200 Series Electric Strike



ES200 with 25mm Extension Lip



ES200 with 50mm Extension Lip



ES200 with 75mm Extension Lip

ES200 Technical Information

Voltage	12 or 24Vdc
Current	175 mA @ 12Vdc - 88 mA @ 24Vdc
Solenoids	Solenoids are rated for continuous use
Monitoring	None
Holding Force	850kg static strength rating
Endurance	Cycle tested to 1,000,000 operations
Latch	Suitable for 15mm latch bolt with 3mm door gap
Environment	Operational temperature range -20°C to +60°C
Body	Solid Stainless Steel Construction
Keeper	Stainless Steel

Specification Statement

The strike should be constructed of stainless steel, have a minimum holding force of 850kg and an endurance rating of 1 million cycles. The one strike must be changeable from fail safe to fail secure on site where required. The strike should not consume current greater than 175mA @ 12Vdc and have a solenoid rated for continuous use. Certifications must include CE, C-Tick and 4 hour fire rating.

Electric Strikes

ES2000® Series Monitored Electric Strike

General Description

The ES2000 Series Electric Strikes are fully monitored high security products manufactured from stainless steel and designed for use with all access control systems. The strikes are suitable for use with hinged doors which require either fire or security control as part of a building management system.

These strikes are flexible and can be changed from fail safe to fail secure, mounted on the left or right hand side of the door and are available in 12 or 24Vdc.

They offer a strong, dependable and long-lasting electric strike solution with a 850kg holding force and endurance rating of 1 million cycles.

Key Features

- Fully monitored – strike locked and door latched
- Fail safe/fail secure changeable on site
- High security
- 4hr fire rating
- 850kg holding force
- 1 million cycles endurance rating
- Cast stainless steel body
- Stainless steel locking pins
- SCEC endorsed
- Low current consumption - Max 175mA @12Vdc
- Solenoid rated for continuous use
- Mounting kit supplied as standard
- **TRICARE®** 5 Year Warranty

Applications

- High traffic areas
- Fire rated door sets
- Open in/open out doors
- Suitable for use with all access control systems





Standards and Compliance

S3 (Security) Australian Lock Standard (AS4145.2.1993)

D3 (Durability) Australian Lock Standard (AS4145.2.1993)

BSI BS 5872 Approved

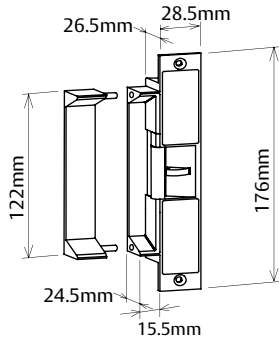
 Successfully fire rated up to 4 hours on fire door assemblies in accordance with AS1905.1. 2005 (Part 1: Fire Resistant Doorsets)

 Approved to UL1034 (highest level)

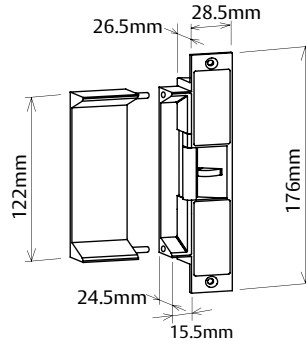
 CE Approved

 C-Tick Certified

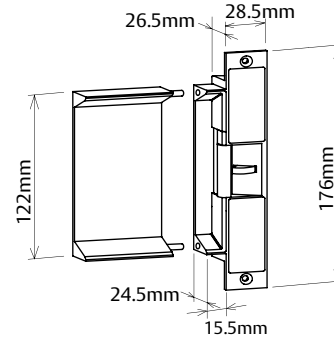
SCEC endorsed for secure areas



ES2000 with 25mm Extension Lip



ES2000 with 50mm Extension Lip



ES2000 with 75mm Extension Lip

ES2000 Technical Information

Voltage	12Vdc
Current	175 mA @ 12Vdc
Solenoids	Solenoids are rated for continuous use
Monitoring	Solenoid Monitor - 1 amp NO/NC microswitch Door/Latch Monitor - 1 amp NO/NC microswitch
Holding Force	850kg static strength rating
Endurance	Cycle tested to 1,000,000 operations
Latch	Suitable for 15mm latch bolt with 3 mm door gap
Environment	Operational temperature range - 20°C to +60°C
Body	Solid Stainless Steel Construction
Keeper	Stainless Steel

Specification Statement

The strike should be constructed of stainless steel, have a minimum holding force of 850kg and an endurance rating of 1 million cycles. Monitoring must include independent door / latch and solenoid monitoring. The one strike must be changeable from fail safe to fail secure on site where required. The strike should not consume current greater than 175mA at 12Vdc and have a solenoid rated for continuous use. Certifications must include CE, C-Tick and 4 hour fire rating.

Electric Strikes

EF15 Series Electric Strike

General Description

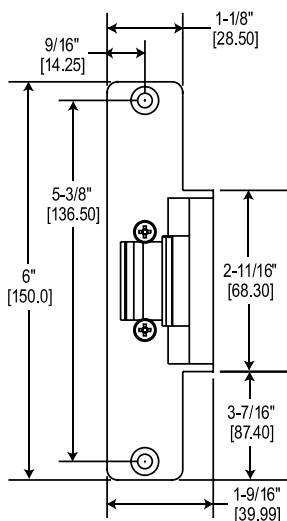
The EF15 is a cost efficient, robust electric strike with a solid construction of a cast aluminium face plate with a latch guide lip. The narrow style keeper on the EF15AV provides extra space for dead bolts and auxiliary latch bolts. The addition of a 16mm lead in lip will allow the strike to be installed deeper in the jamb than most conventional units. Ideal for light duty applications with cylindrical locksets with a 1/2" to 5/8" throw in metal, wood or aluminium frames.

Key Features

- For use with offset and cylindrical locksets
- Fail secure
- Continuous duty operation (only 12V option)
- Fully reversible for right or left hand doors
- **TRICARE**® 5 Year Warranty
- Screw terminals
- Made in Germany

Applications

- High traffic areas
- Open in/open out door sets
- Suitable for use with all access control systems



EF15 Technical Information

Voltage	6-18v AC/DC 12v eE AC/DC (continuous duty)
Current	18v AC @ 700mA 18c DC @ 970ma 12v AC @ 125mA 12v DC @ 200ma
Monitoring	None
Holding Force	665kg static strength rating Endurance cycle tested to 500,000 operations
Environment	Operational temperature range -15c to +40c
Body	High purity zinc alloy construction
Keeper	Steel

Standards and Compliance

CE CE Approved

C-Tick Certified

Electric Strikes

EF934 Series Electric Strike



General Description

The unique glass door strike is one of a kind offering selectable voltage between the 12 and 24 using a sliding switch. Easy, safe voltage selection is assured. Integrated TVS diode provides surge protection for direct and alternating currents. The glass door strike awaits in the open position to encapsulate the door upon closure. The built-in shock absorbing function of the glass door strike ensures a gentle closing and locking action.

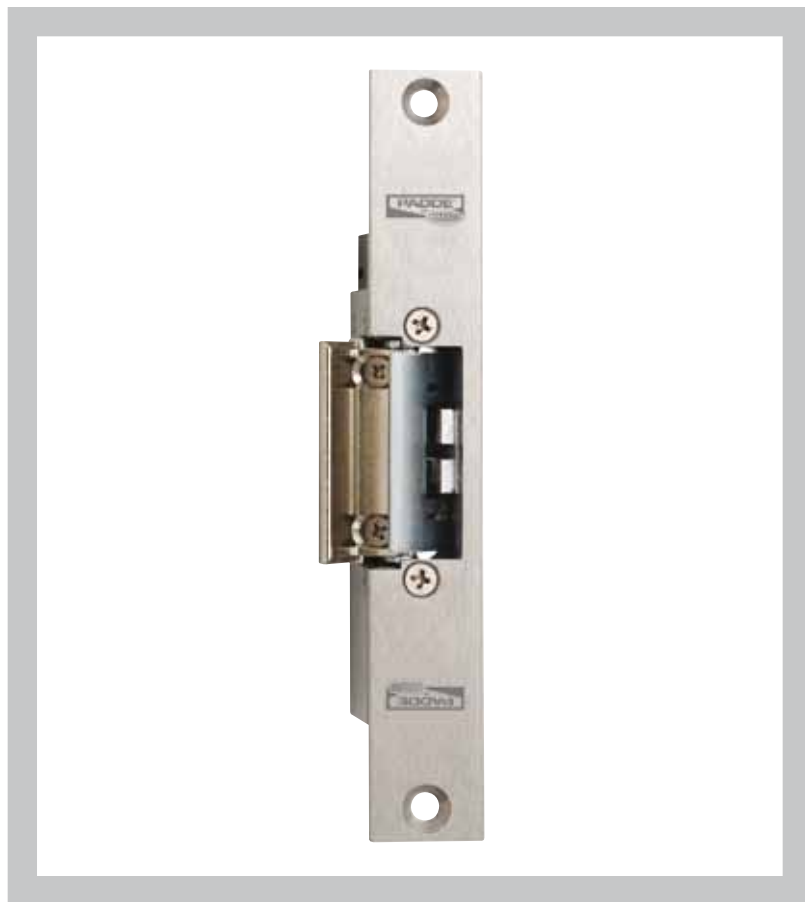
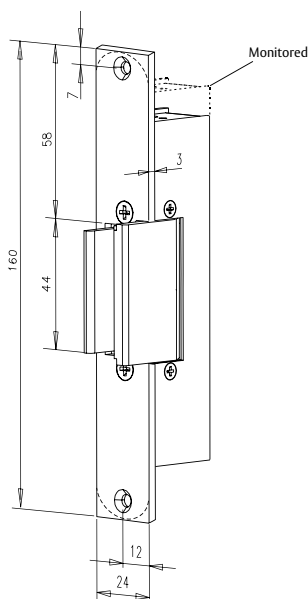
Key Features

- Vertical and horizontal mounting possible
- 12 to 24Vdc field selectable
- Adjustment to glass leaf thickness 9 - 12mm
- Use on single or pairs (requires two locks) of glass doors with frames around the opening
- Non-handed
- Built in diode
- **TRICARE**® 5 Year Warranty

Applications

- Glass door sets
- Suitable for use with access control systems
- Open in/open out doorsets

Note: door stop required



EF934 Technical Information

Voltage	12-24Vdc field selectable
Current	210mA @12Vdc - 105mA @24Vdc
Monitoring	Latch (optional)
Holding Force	375kg static strength rating
Environment	Operational temperature range -15°C to +40°C
Body	High purity zinc alloy construction
Keeper	Brass
Glass Door Thickness	9-12mm

Specification Statement

The EF934 glass door strike must have selectable voltage between 12 - 24 volts using a simple sliding switch. It must have integrated TVS diodes for surge protection. It must also have a built-in shock absorbing function ensuring gentle closing and locking actions. It must operate in both vertical and horizontal positions and be adjustable for glass doors from 9 - 12mm.

Standards and Compliance



CE Approved



C-Tick Certified