

centor®



Centor Dropbolts

centor®  
*Moved by Innovation*



**Dropbolt Styles**

		DH						DF						DL									
		C	TG	L	N	P	W	X	C	TG	L	N	P	W	X	C	TG	L	N	P	W	X	
200	K	.	.	.	.	.	.	.	.	.	.	.	.	.	.	.	.	.	.	.	.	.	.
	NK	.	.	.	.	.	.	.	.	.	.	.	.	.	.	.	.	.	.	.	.	.	.
400	K	.	.	.	.	.	.	.	.	.	.	.	.	.	.	.	.	.	.	.	.	.	.
	NK	.	.	.	.	.	.	.	.	.	.	.	.	.	.	.	.	.	.	.	.	.	.
600	K	.	.	.	.	.	.	.	.	.	.	.	.	.	.	.	.	.	.	.	.	.	.
	NK	.	.	.	.	.	.	.	.	.	.	.	.	.	.	.	.	.	.	.	.	.	.
1000	K	.	.	.	.	.	.	.	.	.	.	.	.	.	.	.	.	.	.	.	.	.	.
	NK	.	.	.	.	.	.	.	.	.	.	.	.	.	.	.	.	.	.	.	.	.	.

- available finishes
- K keyed
- NK non keyed
- 100 – 1000 length of dropbolt
- TG PVD brass
- N natural anodised
- L black powdercoat
- Q bronze powdercoat
- W white powdercoat
- P custom powdercoat
- C chrome
- X brushed metallic

\*Note that not all available options are stocked at all locations and may be subject to minimal order quantities and extended lead times. Please contact Centor Customer Service for current availability.

**Dropbolt Styles**

		DOv						DOe						DOc						DOt							
		C	TG	L	N	P	W	X	C	TG	L	N	P	W	X	C	TG	L	N	P	W	X	TG	N	Q	W	X
200	K	.	.	.	.	.	.	.	.	.	.	.	.	.	.	.	.	.	.	.	.	.	.	.	.	.	
	NK	.	.	.	.	.	.	.	.	.	.	.	.	.	.	.	.	.	.	.	.	.	.	.	.	.	
400	K	.	.	.	.	.	.	.	.	.	.	.	.	.	.	.	.	.	.	.	.	.	.	.	.	.	
	NK	.	.	.	.	.	.	.	.	.	.	.	.	.	.	.	.	.	.	.	.	.	.	.	.	.	
600	K	.	.	.	.	.	.	.	.	.	.	.	.	.	.	.	.	.	.	.	.	.	.	.	.	.	
	NK	.	.	.	.	.	.	.	.	.	.	.	.	.	.	.	.	.	.	.	.	.	.	.	.	.	
1000	K	.	.	.	.	.	.	.	.	.	.	.	.	.	.	.	.	.	.	.	.	.	.	.	.	.	
	NK	.	.	.	.	.	.	.	.	.	.	.	.	.	.	.	.	.	.	.	.	.	.	.	.	.	

**Dropbolt Styles**

		DM						DS							
		C	TG	L	N	P	W	X	C	TG	L	N	P	W	X
100	K	.	.	.	.	.	.	.	.	.	.	.	.	.	.
	NK	.	.	.	.	.	.	.	.	.	.	.	.	.	.
300	K	.	.	.	.	.	.	.	.	.	.	.	.	.	.
	NK	.	.	.	.	.	.	.	.	.	.	.	.	.	.

## Security and Utility

The key to any good fastening system is ensuring the systems it complements can be easily put into use, while opportunity for misuse, or use by unwelcome parties is minimised. Innovative design features mean Centor dropbolts succeed in both enabling access, and denying it!



With bolt throws in lengths from 20mm to 40mm as well as offset throw bolts there's a Centor dropbolt for virtually every application.



### SECURITY OPTIONS

Non-keyed options fasten doors against the elements and provide peace of mind against the casual intruder, while keyed dropbolts offer full 'deadlock' security. Thoughtful dead-bolt design means the bolt can only be released when the key has been removed, preventing damage to doors. Dropbolts are available keyed alike and can be rekeyed to match other household locks by a professional locksmith.

### ACCESSIBILITY

Whether installed at the top or bottom of doors or windows, Centor dropbolts need never be out of reach. With a choice of lengths available across each range, easy operation is assured for every potential user.

### WARRANTY

Like all Centor products, every dropbolt is covered by a ten-year warranty against manufacturing defects.

Standard profile grip for easy dropbolt handling.



Low profile grip solves clearance issues for parallel and cavity-sliding doors.



## Centor DH Dropbolt

Suited to outward opening bifold doors, french doors and sliding doors, Centor DH features an extended 40mm throw. DH can be specified in any appropriate application where its distinctive square-edged styling is preferred.

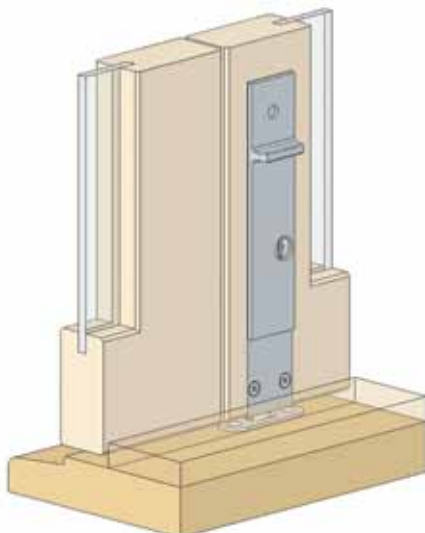
DH SPECIFICATIONS	
max wind load	450kg force
min door thickness	35mm
security	keyed, non-keyed
dropbolt lengths	200/400mm
throw length	40mm
finishes	PVD brass natural anodised black powdercoat white powdercoat custom powdercoat*

\*Custom powdercoat available by special order.

DH dropbolts will resist high winds and are rated to resist a 250kg load in Western Red Cedar and 450kg in Amooora. Centor can provide a test certificate on application. DH features a unique damage-proof mechanism for bifold doors which prevents the bolt being operated if the key is left in the lock. The bolts are easily installed with a dedicated router bit and are available in natural anodised, PVD brass, chrome and custom powdercoat. The bolts are supplied keyed alike and may be rekeyed by a professional locksmith.

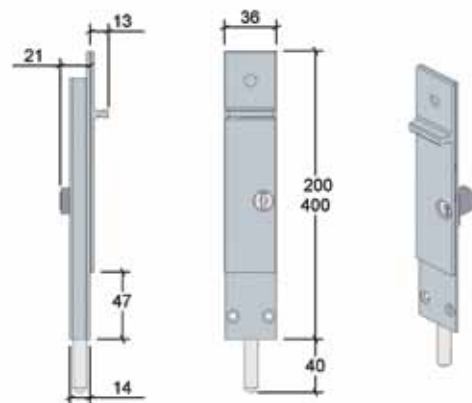


Architectural Detail



Patent granted

DH dropbolt assembly



HA-001.DXF

## Centor DF Dropbolt

Suited to outward opening bifold doors, french doors and sliding doors, Centor DF comes with a 20mm throw and rounded styling. An extensive range of lengths (to 1000mm) and finishes are available.

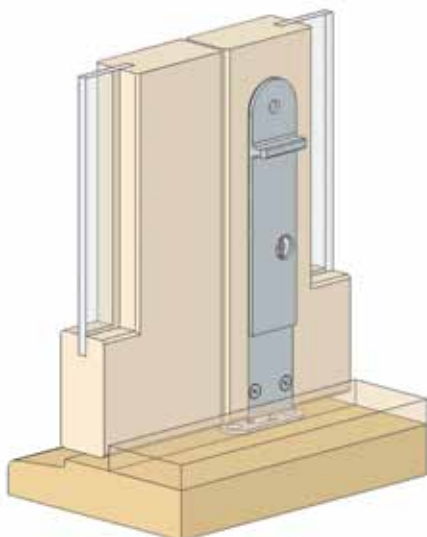
DF SPECIFICATIONS	
max wind load	450kg force
min door thickness	35mm
security	keyed, non-keyed
dropbolt lengths	200/400/600/1000mm
throw length	20mm
finishes	PVD brass natural anodised black powdercoat white powdercoat custom powdercoat* chrome brushed metallic

\*Custom powdercoat available by special order.

DF dropbolts will resist high winds and is rated to resist a 250kg load in Western Red Cedar and 450kg in Amoor. Centor can provide a test certificate on application. DF features a unique damage-proof mechanism for bifold doors which prevents the bolt being operated if the key is left in the lock. The bolts are easily installed with a dedicated router bit and are available in PVD brass, brushed metallic, chrome, natural anodised and custom powdercoat finishes. The bolts are available keyed alike and may be rekeyed by a professional locksmith.

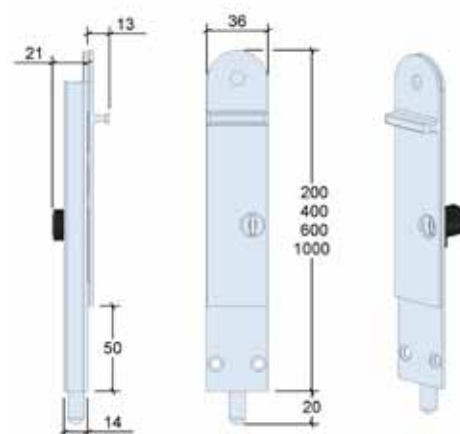


Architectural Detail



Patent granted

DF dropbolt assembly



FO-001.DXF

## Centor DL Dropbolt

Designed specifically for use with sliding doors, Centor DL features a low profile hand-grip to ensure clearance in parallel or cavity sliding applications. Rounded styling and a 20mm throw complete the package.

### DL SPECIFICATIONS

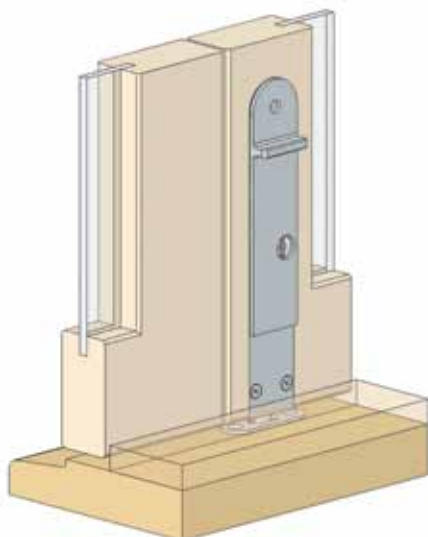
max wind load	450kg force
min door thickness	35mm
security	keyed, non-keyed
dropbolt lengths	200/400mm
throw length	20mm
finishes	PVD brass natural anodised black powdercoat white powdercoat custom powdercoat* chrome brushed metallic

\*Custom powdercoat available by special order.

A range of keyed and non-keyed flush-mounting dropbolts with round styled and 20mm throw designed for use with sliding doors. DL will resist high winds and is rated to resist a 250kg load in Western Red Cedar and 450kg in Amoora. Centor can provide a test certificate on application. DL features a unique damage-proof mechanism for sliding doors which prevents the bolt being operated if the key is left in the lock. The bolts are easily installed with a dedicated router bit and are available in PVD brass, brushed metallic, natural anodised, chrome and powdercoat finishes. The bolts are available keyed alike and may be rekeyed by a professional locksmith.

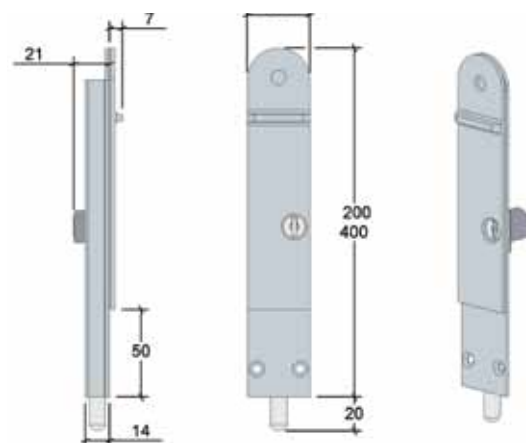


### Architectural Detail



Patent granted

### DL dropbolt assembly



FL-001.DXF

## Centor DO Dropbolt (for inward opening)

Designed specifically for use with inward opening bifold and French doors, Centor DO comes into its own wherever an offset bolt is required. It features rounded styling and an extensive range of lengths and finishes.

DO SPECIFICATIONS	
max wind load	450kg force
min door thickness	35mm (DOv) 45mm (DOe)
security	keyed, non-keyed
dropbolt lengths	200/400/600/1000mm
throw length	20mm (DBOC) 25mm (DBOE, DBOV and DBOT)
finishes	PVD brass natural anodised black powdercoat bronze powdercoat white powdercoat custom powdercoat* chrome brushed metallic

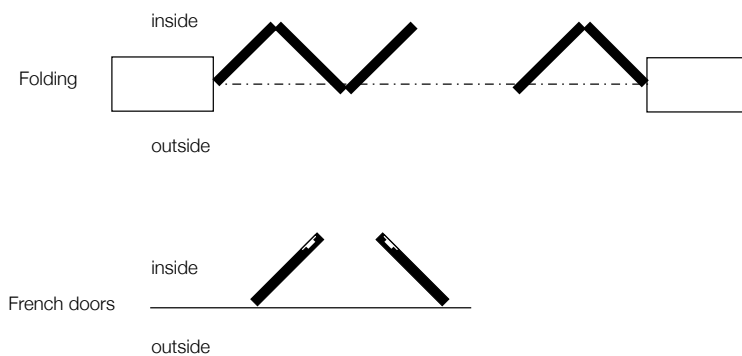
\*Custom powdercoat available by special order.

DO Dropbolt offers all the style and security of the DF but with its offset bolt is designed for inward opening applications such as french doors, entry doors or inward opening bifold doors.

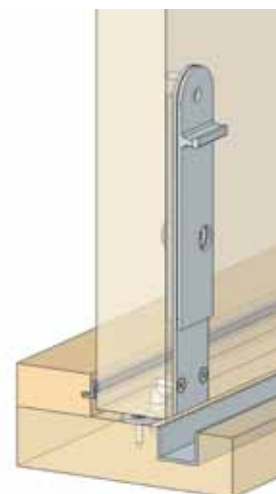


### INSTALLATION

Dropbolts locations in some typical configurations.



### Architectural Detail



Patent granted

## Centor DM Dropbolt

Half the length (100mm) of the smallest door dropbolt system and correspondingly narrow, Centor DM is designed to flush-mount into window frames with minimal visual impact.

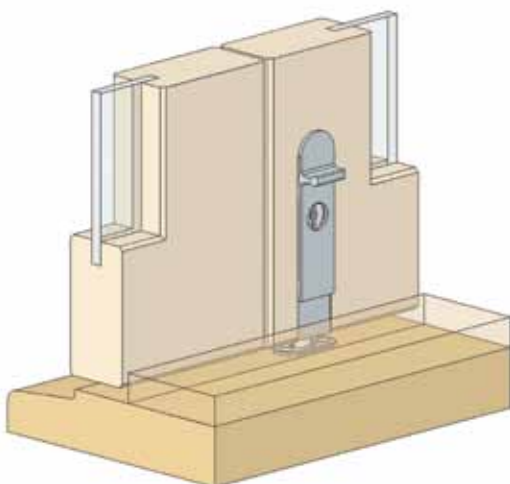
DM SPECIFICATIONS	
max wind load	200kg force
min door thickness	35mm
security	keyed
dropbolt lengths	100mm
throw length	20mm
finishes	PVD brass natural anodised black powdercoat white powdercoat custom powdercoat* chrome brushed metallic

\*Custom powdercoat available by special order.

DM Dropbolt is suitable for locking casement, awning, sliding and bifold windows. At 100mm long, it is half the size of the DM bolt and is designed to flush-mount into the window frame with minimal visual impact. DM can be supplied keyed alike to your DF or DH locks and can be re-keyed to other window locks in the house by any professional locksmith.

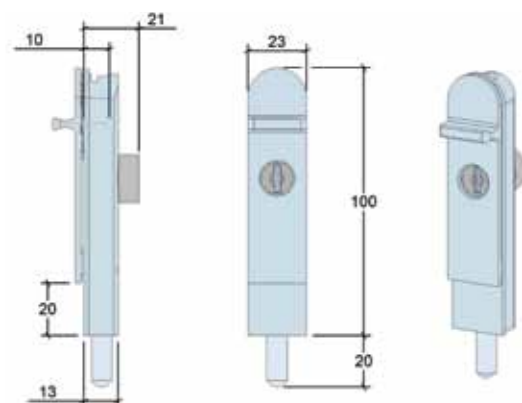


Architectural Detail



Patent granted

DM dropbolt assembly



MI-001.DXF



## Centor DS Dropbolt

Only 36mm in width, Centor DS is the ideal dropbolt for tall timber windows with narrow framing. The extended 300mm barrel means the hand-grip is within reach whether placed at the top of tall windows or behind furniture.

DS SPECIFICATIONS	
max wind load	200kg force
min door thickness	35mm
security	keyed
dropbolt lengths	300mm
throw length	20mm
finishes	PVD brass natural anodised black powdercoat white powdercoat custom powdercoat* chrome brushed metallic

\*Custom powdercoat available by special order.

The 300mm length of the DS Dropbolt makes it an ideal bolt to install in tall windows, or in windows where furniture such as benches restrict accessibility. The slim profile of the DS makes it ideal for timber windows with narrow framing. The cylinder can be re-keyed to other window locks in the house by a professional locksmith.

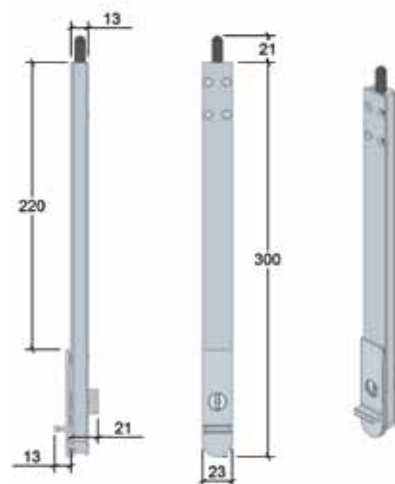


Architectural Detail



Patent granted

DS dropbolt assembly



SO-001.DXF